

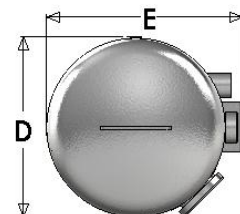
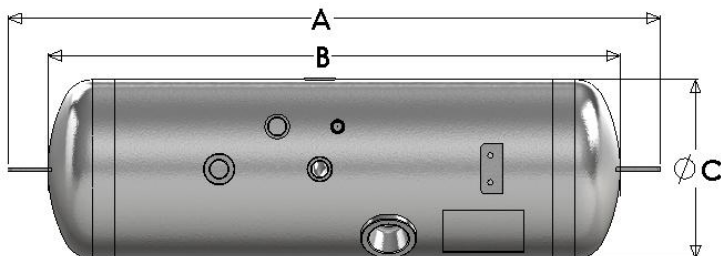
R.V TANKS *

* Propane

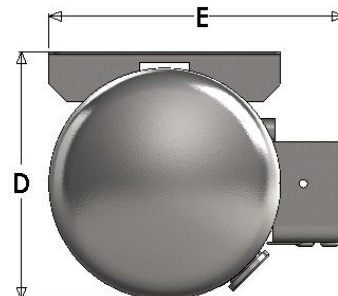
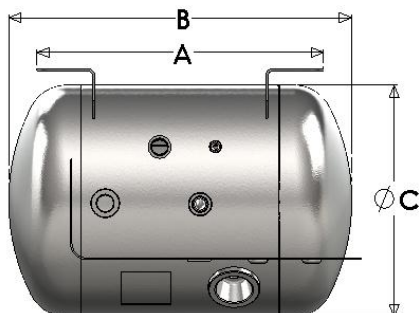
REFERENCE STANDARDS: **ASME CODE SECTION VIII. DIVISION 1 – NFPA**

A. TOTAL LENGTH OF BRACKETS
B. OVERALL LENGTH
C. DIAMETER
D. HEIGHT
E. WIDTH

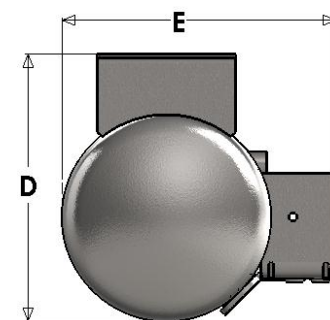
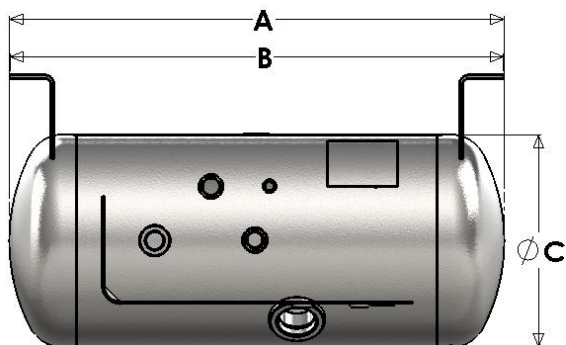
• TM/T-10G/US



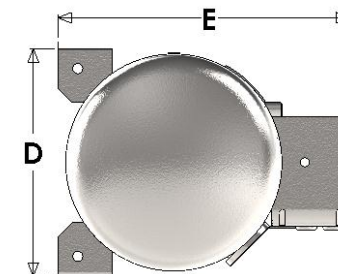
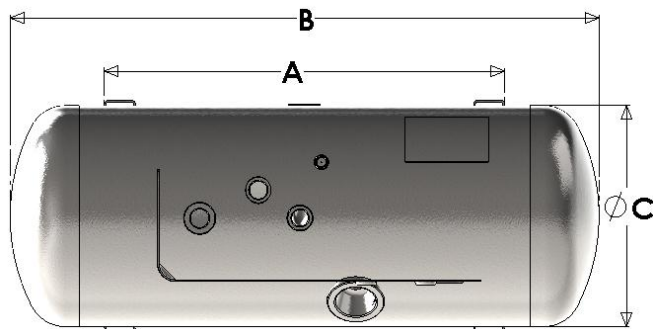
• TM/T-11.9G/US



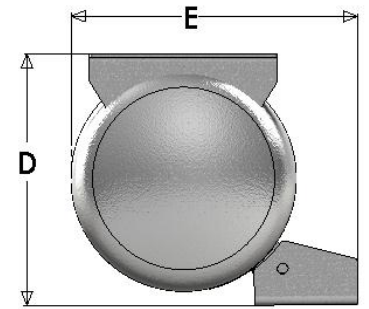
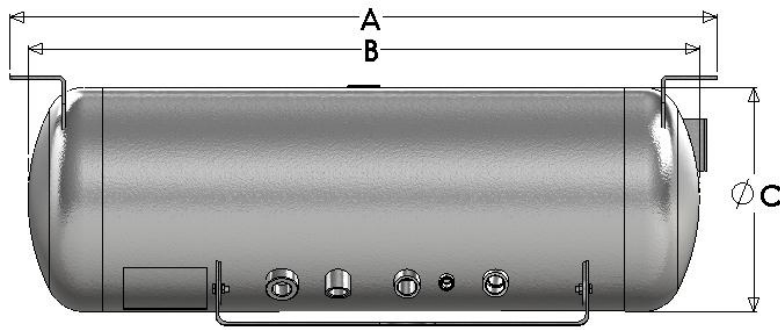
• TM/T-12.2G/1/US
 • TM/T-12.2G/2/US*



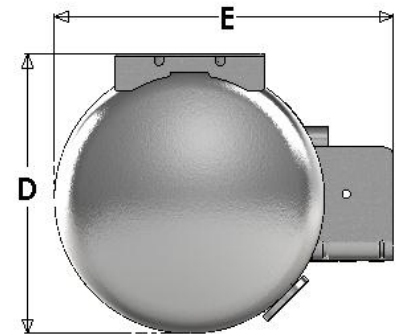
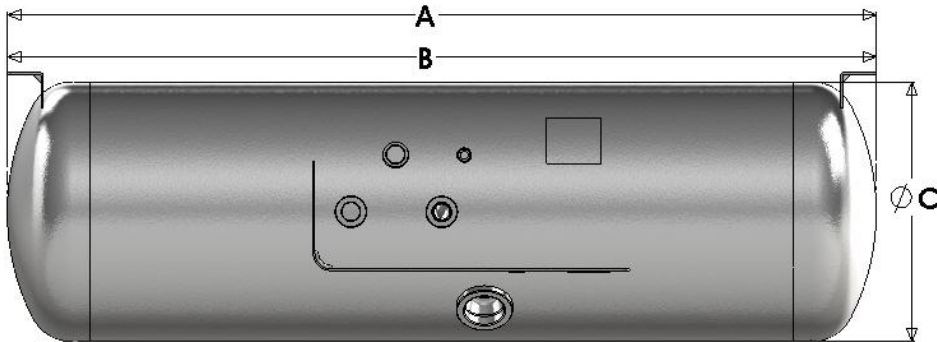
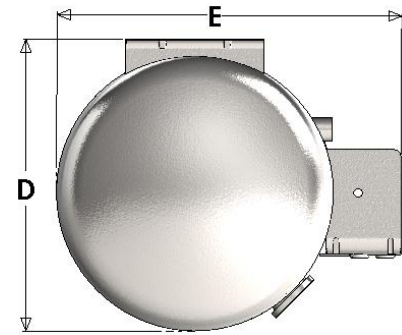
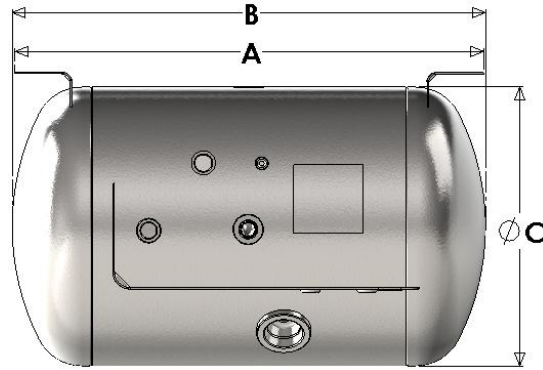
• TM/T-14.1G/US



• TM/T-16G/US



• TM/T-20.3G/US
• TM/T-24.5G/US



• TM/T-29.3G/US

GENERAL DIMENSIONS (in)

| MODEL | Propane Capacity (lb) | A | B | ØC | D | E | Water Capacity (gal) | Tare Theory (lb) |
|------------------|-----------------------|-------|-------|-------|-------|-------|----------------------|------------------|
| TM/T-10G/US | 35.03 | 36.5 | 33 | 10 | 10 | 11 | 10 | 37 |
| TM/T-11.9G/US | 41.71 | 17.31 | 20.12 | 14.34 | 17.87 | 17.87 | 11.9 | 53 |
| TM/T-12.2G/1/US | 42.75 | 27.93 | 27.91 | 12 | 15.68 | 16 | 12.2 | 50 |
| TM/T-12.2G/2/US* | 42.75 | 27.93 | 27.91 | 12 | 12.87 | 16 | 12.2 | 47 |
| TM/T-14.1G/US | 49.41 | 21.75 | 32 | 12 | 13 | 16.18 | 14.1 | 52 |
| TM/T-16G/US | 56.25 | 37.93 | 36 | 12 | 13.62 | 15.25 | 16 | 56 |
| TM/T-20.3G/US | 71.12 | 27 | 27 | 16 | 16.75 | 19.93 | 20.3 | 74 |
| TM/T-24.5G/US | 85.87 | 32 | 32 | 16 | 16.75 | 19.93 | 24.5 | 86 |
| TM/T-29.3G/US | 102.68 | 48 | 46.25 | 14.34 | 14.87 | 18 | 29.3 | 90 |

*This Vessel has Short Brackets.